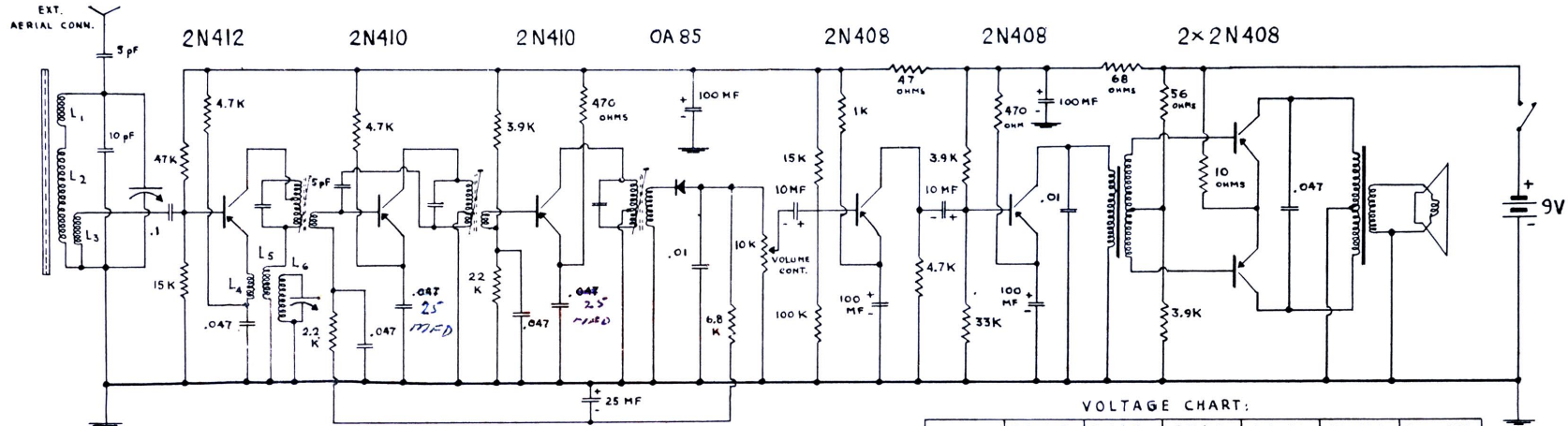




7 TRANSISTORS. MODEL 7T9



COIL DATA:

AERIAL		OSCILLATOR	
L ₁	20 TURNS	L ₄	4 TURNS
L ₂	75 --	L ₅	10 --
L ₃	7 --	L ₆	110 --

IF = 455 KC/S

ATTENTION:
BATTERY NEGATIVE
CONNECTED TO CHASSIS

STANDING
CURRENT 11mA.

VOLTAGE CHART:

	2N412 MIXER	2N410 1. IF. AMP	2N410 2. IF. AMP	2N408 AUDIO	2N408 DRIVER	2x2N408 OUTPUT
BASE	+ 2.1	+ 0.3	+ 6.3	+ 6.8	+ 7.3	+ 8.8
EMITTER	+ 2.2	+ 0.5	+ 6.5	+ 7.0	+ 7.5	+ 8.9
COLLECTOR	+ .05	-	-	+ 4.0	+ 0.3	-

ALL READINGS ARE TAKEN WITH VTVM (WITH NO SIGNAL AND NO VOLUME) TO CHASSIS