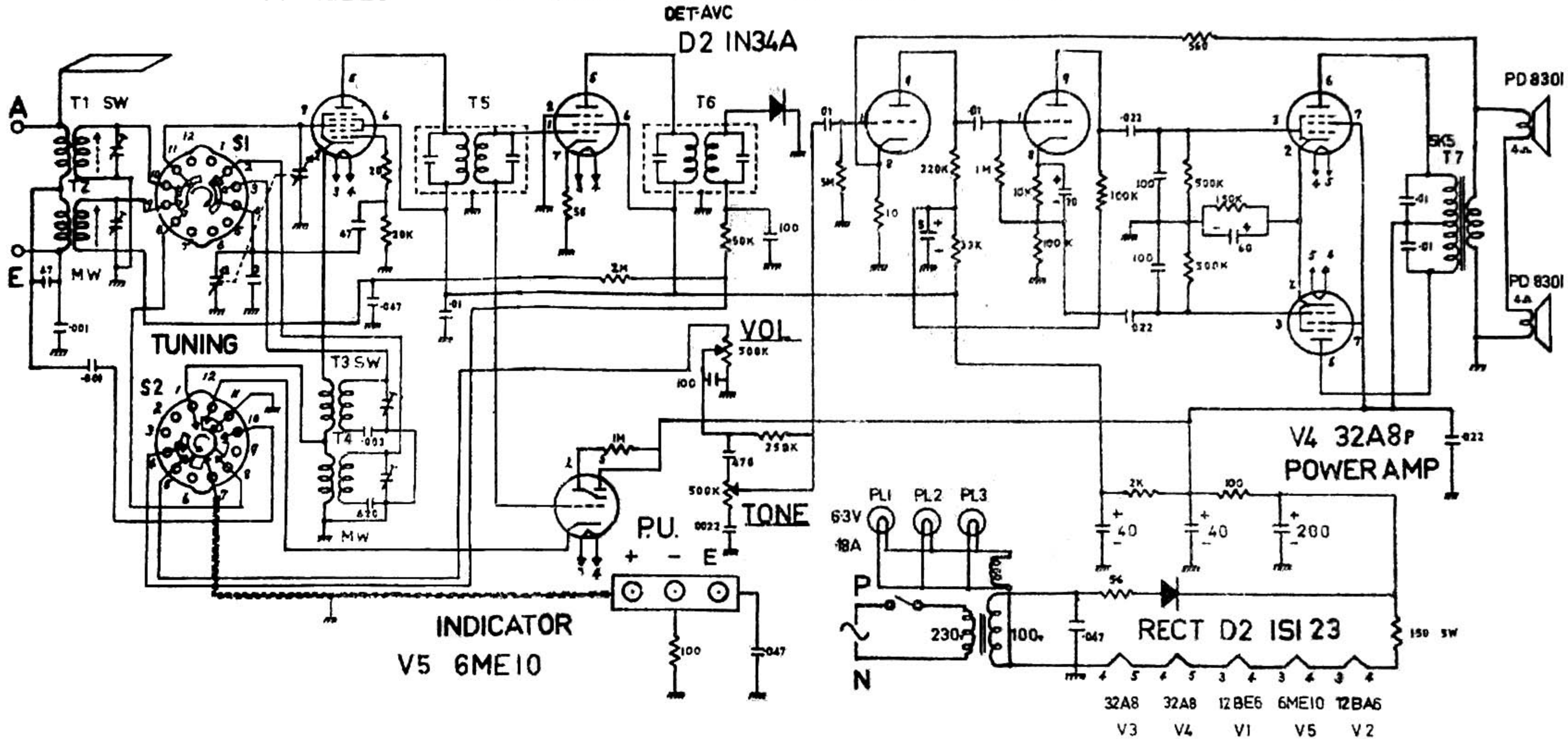


General

MODEL 6MA-246

CONV V1 12BE6 IF AMP V2 12BA6 AF AMP V3 32A8T PHASE INV V4 32A8T POWER AMP V3 32A8P



DATE	1-2-63
MODEL	6MA-246
DRAWN	G. TRUBNOVICH
CHECKED	<i>GM</i>

BELL RADIO TELEVISION CORPN. LTD. NEW ZEALAND.

VOLTAGE READINGS	
	1 2 3 4 5 6 7 8 9 10
V1	25 77 72 15
V2	15 72 72 5
V3	45 65 88 88 38
	10 86 86 88 82